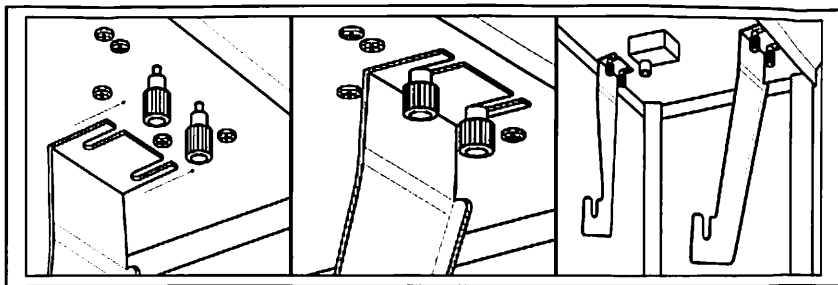
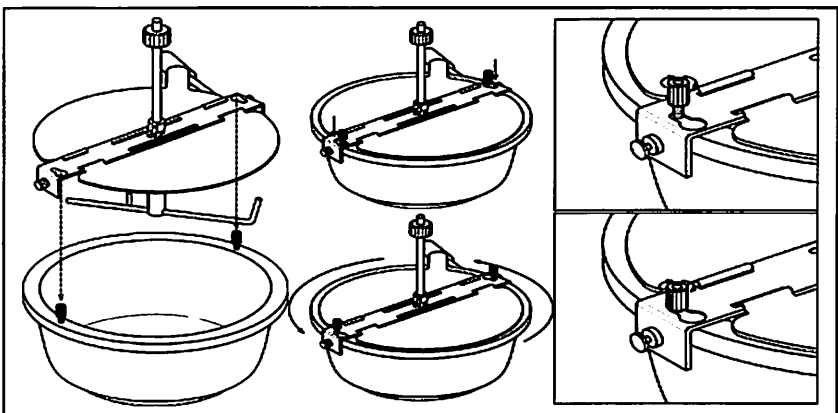


ASSEMBLY INSTRUCTIONS

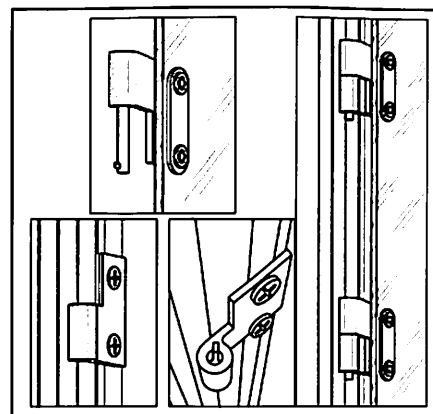


1. Kettle Bracket Assembly: Secure the kettle brackets to the inside top of the popcorn machine. Slide each bracket into position as shown and turn all thumbscrews until secured.



2. Kettle and Lid/Stirrer Assembly: Place lid/stirrer onto the top of the kettle by lining up the larger part of the keyholes on the lid with the thumbscrews on the kettle. Rotate the lid/stirrer so that the base of the thumbscrews is in the smaller part of the keyholes. Turn thumbscrews until secured.

3. Bulb Assembly: The machine includes 2 optional bulbs, a Warming Bulb and a LED Bulb w/Remote Control. Only 1 bulb may be used at a time based upon personal preference. To change out the Warming Bulb or LED Bulb, first unscrew the bulb currently installed in the machine and then screw in the alternate bulb in the same location. Note: The LED Remote Control can control the color, brightness, and color pattern of the LED Bulb. The Remote Control must be pointed directly to the bulb itself and be within several feet without obstruction to function properly.



4. Door Assembly: Align the pins on the door hinges with the hinges on the machine. Be certain that the door hinge pins are lined up with the notches on the machine hinges. After the pins are entirely through the machine hinges, turn the door to secure the door in place.

CLEANING AND MAINTENANCE

Let the unit cool down before cleaning. With a clean damp cloth, wipe all surfaces. Do NOT use any acidic, citrus based cleaners or abrasive cleaners on the acrylic surfaces as they might cause scratching or dullness. Frequent cleaning of the popcorn kettle is strongly recommended. This will help prevent burning of excess oils on the bottom of the kettle. **Do not immerse popping kettle into water and do not place into dishwasher.**

To clean the popcorn machine:

1. Remove the cooled kettle from the popcorn machine.
 - a. Loosen the thumbscrews that hold the lid/stirrer to the top of the kettle.
 - b. Remove the lid/stirrer from the kettle. The lid/stirrer can be washed in soapy water or cleaned in the dishwasher.
 - c. Use a damp cloth to clean the inside of the kettle. **Never immerse the kettle into water or place the kettle in the dishwasher.**
2. Remove the kettle brackets from the inside top of the popcorn machine by loosening the thumbscrews. The brackets can be washed by hand or cleaned in the dishwasher.
3. With a damp cloth, wipe the doors, glass and metal surfaces.
4. Empty the crumb tray from the base of the machine. The crumb tray can be washed in soapy water or cleaned in the dishwasher.

USING THE POPCORN MACHINE

Clean the surfaces of the popping kettle and internal surfaces of the machine before first use.

The popcorn machine has individual control switches for four functions as follows: Light, Stirrer, Kettle Heater, and Base Warmer

1. Make sure the popcorn machine is unplugged before doing the following:
 - Clean the surfaces of the popping kettle and the internal surfaces of the machine.
 - Attach the assembled popping kettle onto the assembled kettle brackets and connect the electrical cord between the popping kettle and the machine.
2. Plug in the power cord from the popcorn machine.
3. Although the ratio of popcorn kernels to oil is a personal preference, you may begin with a ratio indicated on the Oil/Popcorn Chart (Fig 1). **Caution:** Do not use butter in the kettle as it may burn.

Figure 1: Oil/Popcorn Chart

OIL	POPCORN
~2 Tbsp	~1/4 Cup
~3 Tbsp	~1/2 Cup
~4 Tbsp	~3/4 Cup
~5 Tbsp	~1 Cup

4. Lift the kettle lid and load ingredients into the kettle, first oil, then kernels and seasoning. Lower the kettle lid, close the doors, and turn "ON" the Stirrer and Kettle Heater.
5. Popcorn starts popping out through the lids of the kettle. When popping is almost complete, turn "OFF" the Stirrer and Kettle Heater.
6. Using the kettle handle, rotate the kettle counter-clockwise to pour out all remaining popcorn from the kettle. **CAUTION: Kettle will be HOT!**
7. Use the popcorn scoop to serve the popcorn.
8. Repeat steps 4 to 7 to continue making popcorn.
9. Keep switches "OFF" and remove machine plug from electrical outlet if the popcorn machine is not being used for an extended period of time.

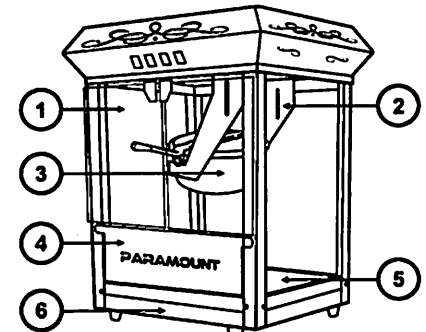
INSTRUCTIONS

Model No. & Specifications: Model No.: P-801
Voltage: AC 120V~60Hz
Input Power: 860W

Please read this Instruction Manual carefully before assembling & using the popcorn machine.

PARTS

1. Clear Doors (Left & Right)
2. Kettle
3. Kettle Brackets (Left & Right)
4. Tilting Panel
5. Kernel Filter
6. Crumb Tray
7. Popcorn Scoop (Not Pictured)
8. Warming Bulb (Not Pictured)
9. LED Bulb w/Remote Control (Not Pictured)



IMPORTANT SAFEGUARDS

Safety precautions should always be followed when using electrical appliances. These precautions include the following:

1. **READ ALL INSTRUCTIONS PRIOR TO USING THE POPCORN MACHINE.**
2. Before operating the popcorn machine, always make sure it is located on a flat and level surface. Do not place the machine on or near a hot gas or electric burner.
3. Before operating the popcorn machine, always make sure that all connections are properly fastened.
4. Position the machine close to a power outlet to avoid the possibility of tripping over the power cord.
5. Connect the electrical cord between the popping kettle and the main unit first, and then connect the main power cord into a wall outlet.
6. Do not leave power cord hanging over the edge of a table or counter and do not allow it to come in contact with any hot surfaces.
7. Do not operate the appliance with a damaged cord or plug, with a malfunction, or with any mechanical damages.
8. The popping kettle should NOT be connected to any external electrical cord or receptacle.
9. NEVER LEAVE UNATTENDED WHILE IN USE.
10. Keep out of reach of children. Close supervision is necessary when it is being used near children.
11. Do not touch hot surfaces. Always use handles or knobs to operate.
12. Keep door closed while operating. Do not touch kettle while operating as it gets HOT. Kettle surface is HOT and should NOT be touched during popping or immediately after use.
13. Do not pop kernels without oil in the popping kettle. Add oil first and then kernels.
14. Be very cautious when emptying popcorn from the popping kettle to avoid burns from the kettle or from residual ingredients.
15. Allow HOT parts to cool down before moving the machine or any components.
16. Turn switch to "OFF" position before disconnecting the power plug from the wall supply outlet.
17. Unplug main power cord from outlet while not in use and before cleaning the popcorn machine.
18. To avoid any risk of electrical shock, do not immerse cord or plug into water or other liquids.
19. Do not immerse popping kettle into water. NO PARTS ARE INTENDED FOR THE DISHWASHER.
20. Do NOT use abrasive cleaning materials on the popcorn machine.
21. The use of any accessory or attachment not provided or recommended by manufacturer may cause injury. Never force any parts into position.
22. Unplug, clean and store the popcorn machine in a dry and safe place when not being used for a period of time.
23. Popcorn machine is not recommended for use outdoors.
24. Do not use popcorn machine for other than indicated usage.

SAVE THESE INSTRUCTIONS

LIMITED LIFETIME WARRANTY

Paramount warrants to the Original Purchaser that the Paramount product ("product") is free from defects including materials and workmanship. If the product is properly maintained, used appropriately and under normal conditions, Paramount warrants that the product will perform as intended.

The Paramount Limited Lifetime Warranty is available only to the Original Purchaser with a dated proof of purchase and is not transferable. This warranty is valid only in the forty-eight contiguous states of the United States of America. "Original Purchaser" refers to that individual, firm, association, or corporation who can provide proper proof of the original purchase and other pertinent information.

"Limited Lifetime," in reference to the serviceable life of the Product, is the time during which all components are available. The Limited Warranty is specifically intended to provide for the replacement of components that have been determined defective in workmanship or materials and does not cover potential costs of labor that may be associated with the repair of the Product. If the Product is determined to be irreparable, Paramount reserves the right to substitute an equivalent replacement part or to retract the Lifetime Warranty if no replacement part or component is available or is no longer being manufactured. The Original Purchaser is responsible for and shall pay for all shipping costs involved in the replacement transaction.

Product usage which is not in compliance with the instructions manual provided with the Product will cause this Warranty to be void. The Paramount Limited Lifetime Warranty is void if the Product has been changed, modified, tampered with, or disassembled by the Original Purchaser or any other persons.

This Warranty does not include damages or defects due to improper assembly or installation of Product, damages caused by shipping, normal wear and tear and misuse, improper maintenance and negligence, damage caused by replacement of electrical fuses or resetting of circuit breakers, incorrect current or voltage, damage of non-electrical parts, damage due to unauthorized repair personnel, deterioration or contamination due to any liquid, sand, insects, animals, or acts of God. The Warranty also does not cover Original Purchaser's remorse and desire to return the Product.

WARRANTY LIMITATIONS AND EXCLUSIONS

THE LIMITED LIFETIME WARRANTY REPLACES ALL OTHER WARRANTIES, EXPRESS OR IMPLIED INCLUDING, BUT NOT LIMITED TO, THE IMPLIED WARRANTIES OF MERCHANTABILITY, NON-INFRINGEMENT, AND FITNESS FOR A PARTICULAR PURPOSE. PARAMOUNT MAKES NO EXPRESS WARRANTIES BEYOND THOSE STATED HERE. PARAMOUNT DISCLAIMS ALL OTHER WARRANTIES, EXPRESS OR IMPLIED, INCLUDING WITHOUT LIMITATION IMPLIED WARRANTIES OF MERCHANTABILITY, NON-INFRINGEMENT, AND FITNESS FOR A PARTICULAR PURPOSE. THERE ARE NO WARRANTIES WHICH EXTEND BEYOND THE DESCRIPTION ON THE FACE HEREOF. PARAMOUNT NEITHER ASSUMES, NOR AUTHORIZES ANY OTHER PERSON TO ASSUME FOR US, ANY OTHER OBLIGATION OR LIABILITY IN CONNECTION WITH THE SALE OF PARAMOUNT PRODUCT OR ANY PART THEREOF. SOME STATES DO NOT ALLOW THE EXCLUSION OF IMPLIED WARRANTIES SO THIS LIMITATION MAY NOT APPLY TO THE ORIGINAL PURCHASER IN SUCH STATE. IF THESE LAWS APPLY, THEN ALL EXPRESS AND IMPLIED WARRANTIES ARE LIMITED IN DURATION TO A LIMITED WARRANTY PERIOD OF ONE (1) YEAR FROM DATE OF PURCHASE. NO WARRANTIES APPLY AFTER THAT PERIOD. SOME STATES DO NOT ALLOW LIMITATIONS ON THE DURATION OF AN IMPLIED WARRANTY, SO THIS LIMITATION MAY NOT APPLY TO THE ORIGINAL PURCHASER.

LIMITATIONS OF LIABILITY

THE ORIGINAL PURCHASER AGREES AND ACKNOWLEDGE THAT PARAMOUNT HAS NO LIABILITY AND SHALL NOT BE RESPONSIBLE FOR ANY DAMAGE ORIGINAL PURCHASER MAY INCUR FROM NONRECEIPT OF THE PRODUCT DUE TO DELAYS IN DELIVERY, PRODUCT FAILURE, FAILURE OF THE PRODUCT TO FUNCTION PROPERLY, THE DESIGN OF THE PRODUCT OR ITS CONSTRUCTION, OR ANY OTHER CAUSE, WHETHER LIABILITY IS ASSERTED IN CONTRACT, TORT, OR OTHERWISE. PARAMOUNT IS NOT RESPONSIBLE FOR INDIRECT, SPECIAL, INCIDENTAL, OR CONSEQUENTIAL DAMAGES OF ANY KIND RESULTING FROM ANY BREACH OF WARRANTY OR UNDER ANY OTHER LEGAL THEORY INCLUDING, BUT NOT LIMITED TO, LOST PROFITS, DOWNTIME, GOODWILL, OR DAMAGE TO OR REPLACEMENT OF EQUIPMENT AND PROPERTY.

This Limited Lifetime Warranty is the complete and exclusive statement of warranty which Paramount agrees to provide with respect to the Product and it shall supersede all prior and contemporaneous oral or written agreements, understandings, proposals and communications pertaining to the subject matter hereof. Representations and warranties made by any person, including dealers or distributors, which are inconsistent or in conflict with the terms of this warranty, shall not be binding upon Paramount.

This warranty and policies as well as the product instructions and manual may be subject to change at any time.

PARAMOUNT

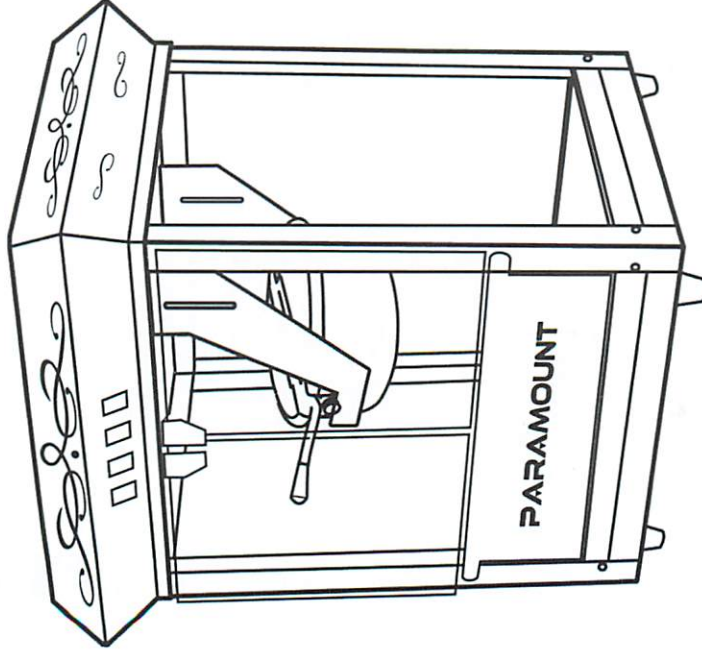
www.paramountmfg.com

Rev.2.15

PARAMOUNT[®]

Popcorn Machine

Model: P-801



INSTRUCTION MANUAL

ALWAYS READ ALL INSTRUCTIONS BEFORE USING